



Flow-Power assembly variations



1-fold



2-fold



3-fold



4-fold

SPEEDY fast closing clamp with flow-power to switch within seconds hydraulic devices with media feeds for oil, air, water ...

The media ducts can be freely positioned on the SPEEDY.

Examples



Assembly example with comparison of media feed size.



Flow-Power NW4

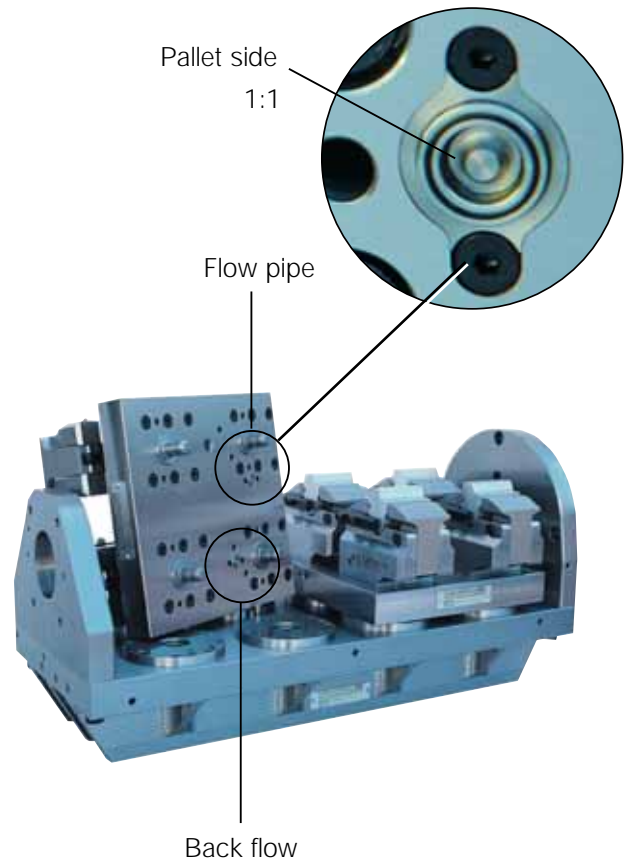


HILMA Mini-Clamp, equipped with a retractable nipple for clamping to the Stark-fast mount system incl. Flow-Power ducts.

4-axis worktable

Equipped with Flow-power for hydraulic clamping.

For additional rotation and slewing, the mounting devices are expandable to process 5 - 6 - 7 axis.



Closing the fast clamping cylinders, SPEEDY automatically positions the Flow-Power ducts. No additional work step has to be taken.



Technical Data



SPEEDY side

Pallet side

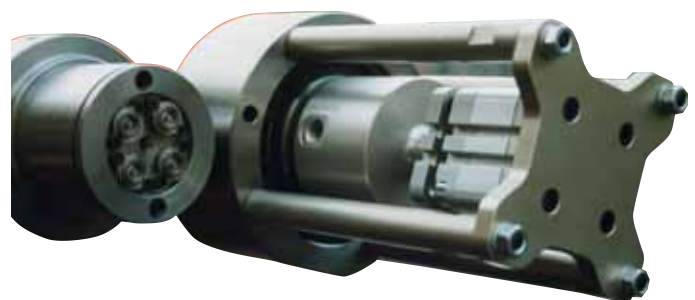
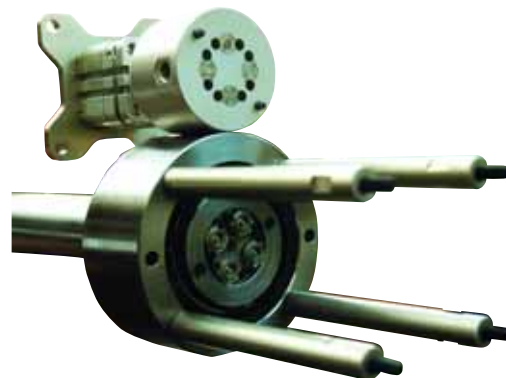
The Flow-Power may only be positioned without any pressure being applied.

Attention: Pallets equipped with Flow-power (pallet-side) may not be put under pressure if not coupled.

A concentric prepositioning of $\varnothing 0.2$ mm is required.

Both Flow-power devices are closed when decoupled

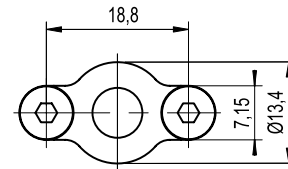
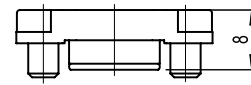
Min. coupling force	250 N
Max. permitted pressure	200 bar
Max. flow rate	28 l/min.
using HP 46 hydraulic oil	



Practical example: Coupling unit



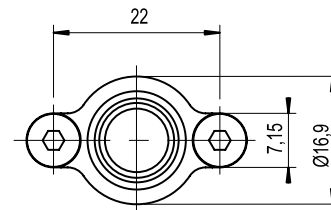
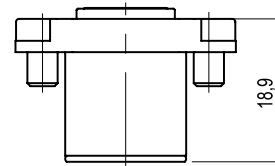
Flow-Power NW4 SPEEDY-side



02 04 042

Order no.	Description
704 200	Flow-Power NW4, SPEEDY-side

Flow-Power NW4 pallet-side

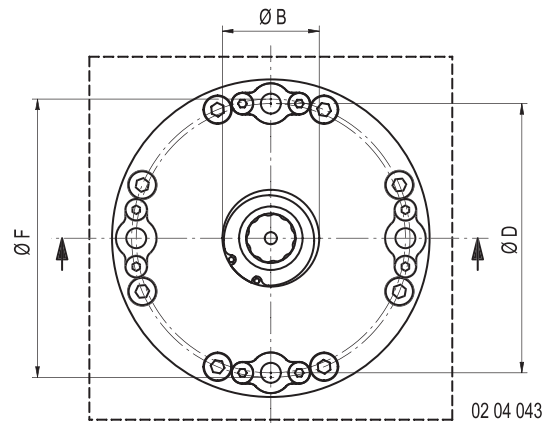
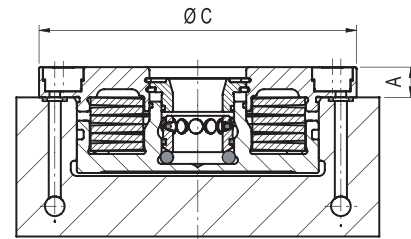


02 04 041

Order no.	Description
704 201	Flow-Power NW4, pallet-side



SPEEDY 1000, 2000 round with up to 4 Flow-Power ducts NW4



10

Order no.	A	ØB	ØC	ØD	ØF	Insertion force [N]	Description	Flow-Power ducts
704 301	10	32	105	89	92	6.722	SPEEDY 1000 round	1
704 302	10	32	105	89	92	6.722	SPEEDY 1000 round	2
704 303	10	32	105	89	92	6.722	SPEEDY 1000 round	3
704 304	10	32	105	89	92	6.722	SPEEDY 1000 round	4
704 305	10	32	105	89	92	10.000	SPEEDY 1000 round	1
704 306	10	32	105	89	92	10.000	SPEEDY 1000 round	2
704 307	10	32	105	89	92	10.000	SPEEDY 1000 round	3
704 308	10	32	105	89	92	10.000	SPEEDY 1000 round	4
704 321	10	47	135	119	122	20.000	SPEEDY 2000 round	1
704 322	10	47	135	119	122	20.000	SPEEDY 2000 round	2
704 323	10	47	135	119	122	20.000	SPEEDY 2000 round	3
704 324	10	47	135	119	122	20.000	SPEEDY 2000 round	4



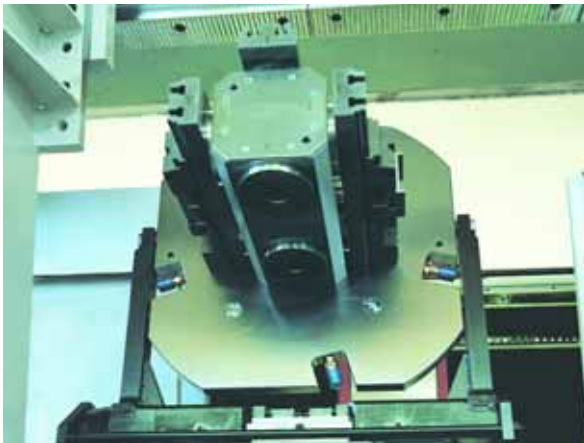
Stark develops and manufactures mounting towers according to your specifications or dimensioned drawings.

Advantages for you:

- Compatible with your CAD-data
- A single partner for the total development process
- In-house engineering
- QM-protocol on delivery for your quality management
- Air-conditioned measuring room with modern measuring equipment



Mounting tower with 16 SPEEDY 1000.



Example:
Measuring a clamping cube, equipped with SPEEDY 1000.

