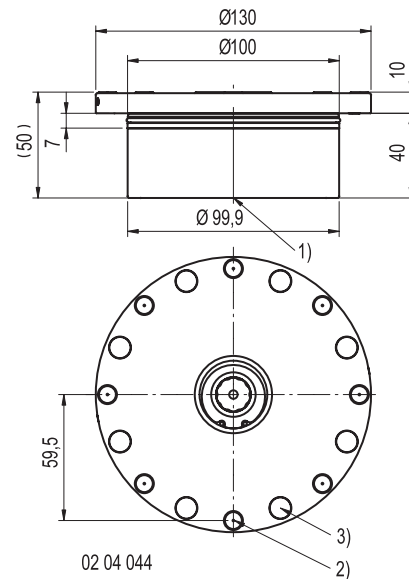




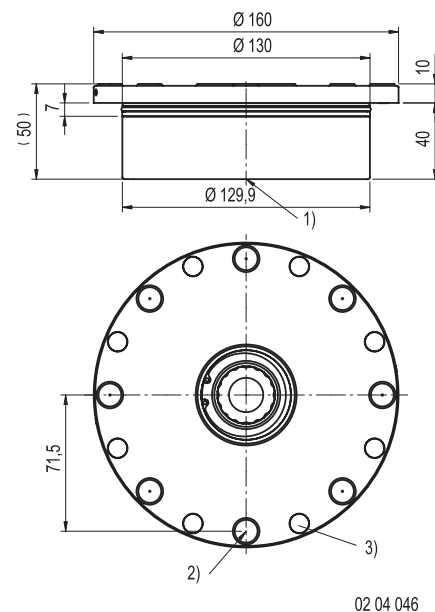
SPEEDY *Tornado* 1000 assembly module with raised supports and blow out ducts



Order no.	Insertion force [N]	Release hydr. pressure [bar]
808 100	6.722	40
808 110	10.000	80

- 1) Hydraulic connection selection through floor or flange
- 2) 8x raised supports \varnothing 8 mm with blow out ducts
- 3) 8x cap head screws M5x14

SPEEDY *Tornado* 2000 assembly module with raised supports and blow out ducts



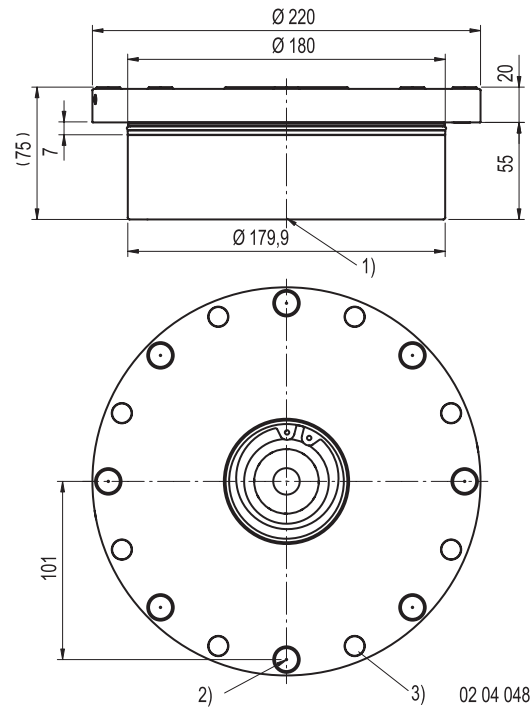
Order no.	Insertion force [N]	Release hydr. pressure [bar]
808 200	20.000	40

- 1) Hydraulic connection selection through floor or flange
- 2) 8x raised supports \varnothing 12 mm with blow out ducts
- 3) 8x cap head screws M6x14



SPEEDY *Tornado* 3000 assembly module with raised supports and blow out ducts

6



Order no.	Insertion force [N]	Release hydr. pressure [bar]
808 300	30.000	30

- 1) Hydraulic connection selection through floor or flange
- 2) 8x raised supports \varnothing 13 mm with blow out ducts
- 3) 8x cap head screws M6x 25

Practical example



SPEEDY *Tornado* 1000/2000/3000 assembly module installable in all machine tables.

Advantages:

- Small built-in size
- One interface
- Install protruding or flush
- Torque is absorbed by the assembly module

Palette DIN 55201 with assembly module

Ask us or the machine manufacturer about the layout of the machine table.