



Mounting brackets for the fast closing clamps

To mount the fast closing clamps on the machine table, there are several combinations of mounting brackets available.

5



Mounting bracket
Form 1



Mounting bracket
Form 2



Mounting bracket
Form 3



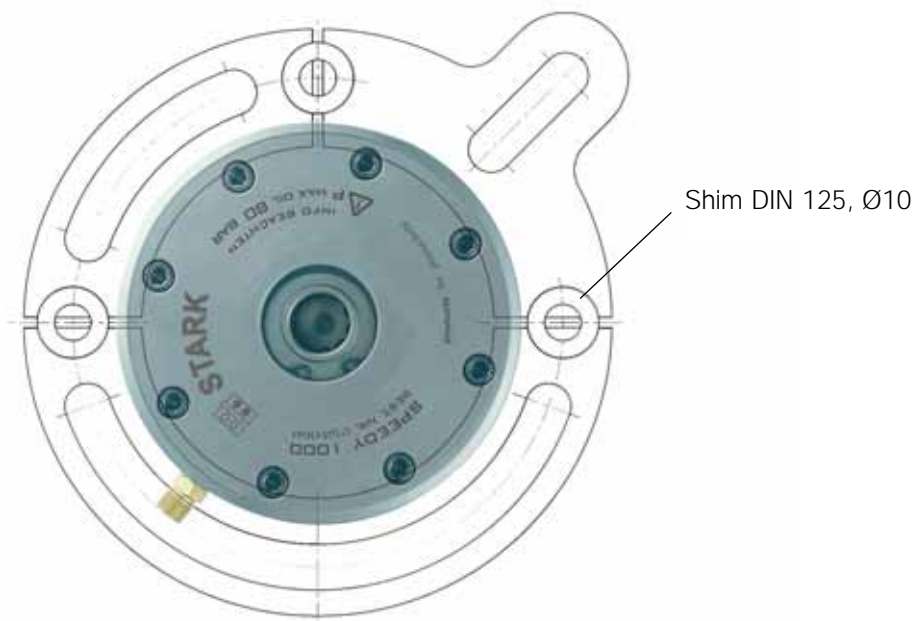
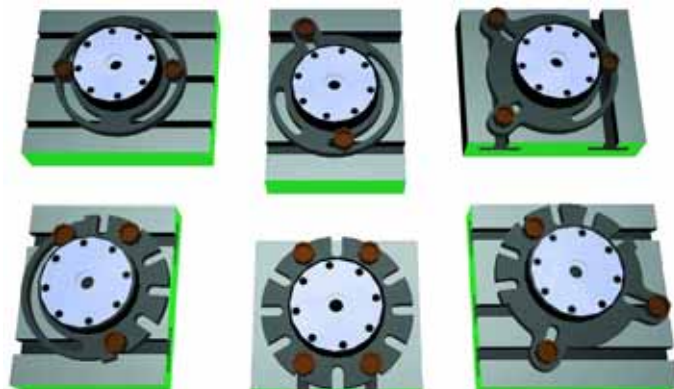
Mounting bracket
Form 4



Mounting bracket
for clamping on
perforated grid

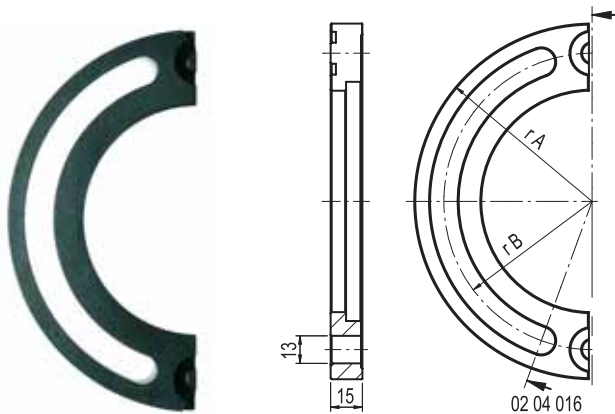
Some possible combinations of mounting brackets

Due to the ingenious forms of the mounting brackets it is possible to fasten the fast closing clamps onto the T-groove table without any problems.



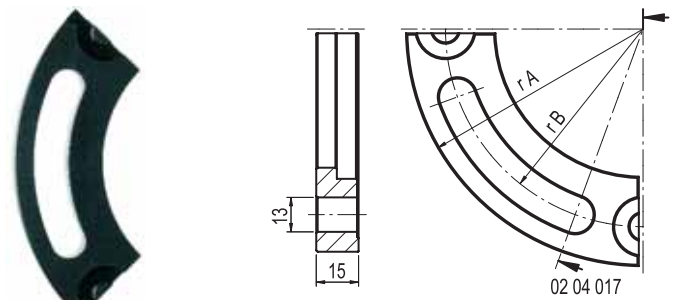


Mounting bracket form 1



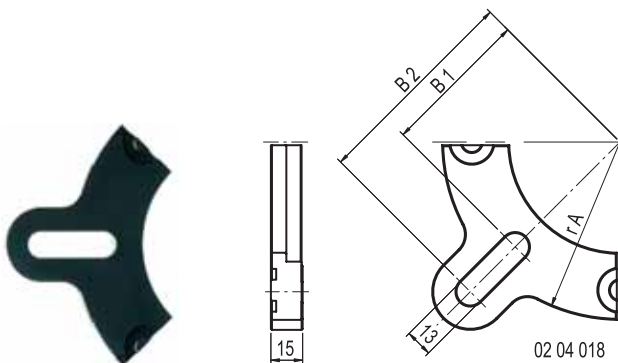
Order no.	suitable for:	r A	r B
804 354	SPEEDY 1000	84	70
804 456	SPEEDY 2000	104	90
804 340	SPEEDY 3000	123	109

Mounting bracket form 2



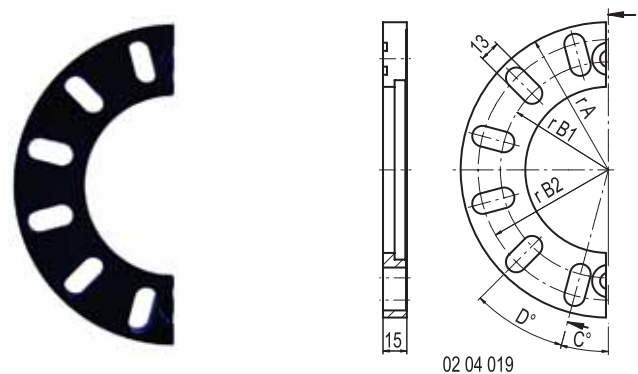
Order no.	suitable for:	r A	r B
804 355	SPEEDY 1000	84	70
804 457	SPEEDY 2000	104	90
804 341	SPEEDY 3000	123	109

Mounting bracket form 3



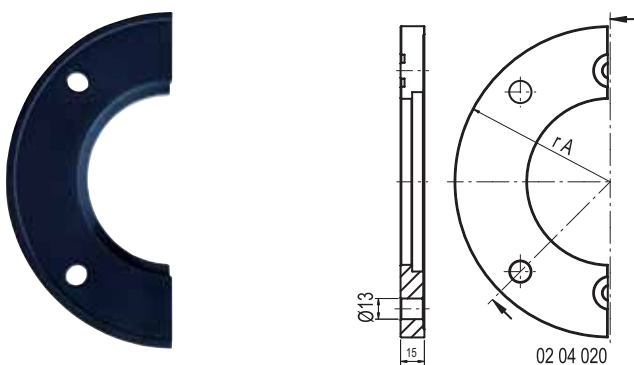
Order no.	suitable for:	r A	B1	B2
804 356	SPEEDY 1000	84	70	100
804 458	SPEEDY 2000	104	90	125
804 342	SPEEDY 3000	123	109	150

Mounting bracket form 4

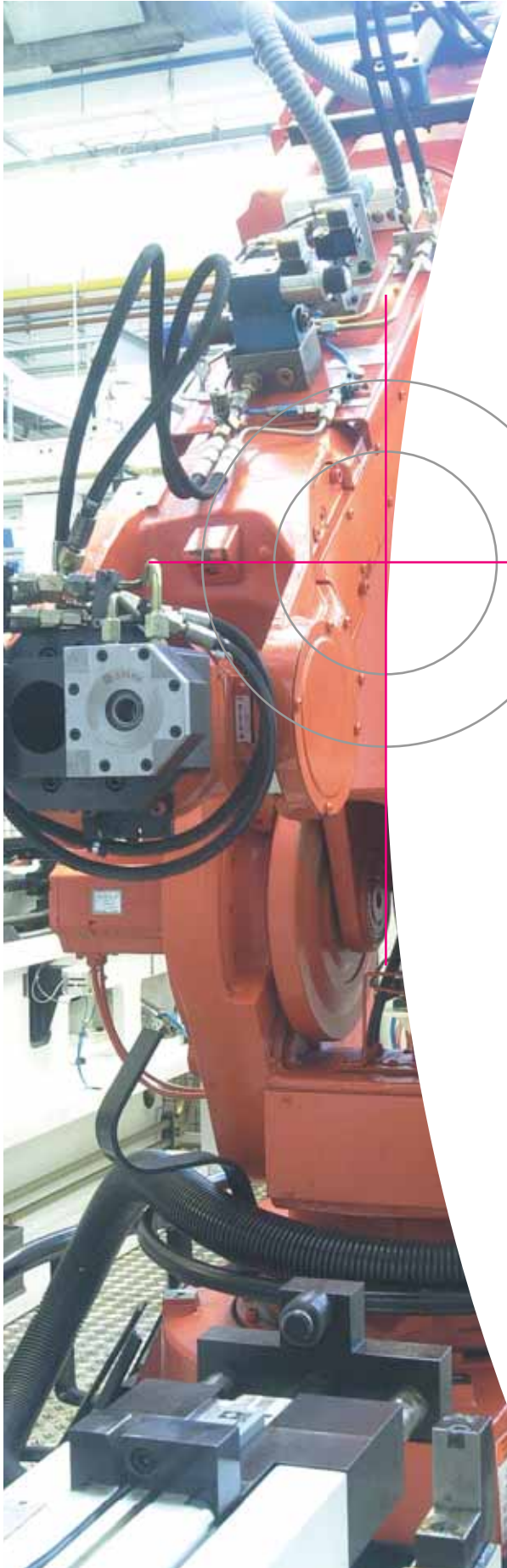


Order no.	suitable for:	r A	rB1	rB2	C	D
804 357	SPEEDY 1000	89	70	80	15°	30°
804 459	SPEEDY 2000	120	87	108	15°	30°
804 343	SPEEDY 3000	142	107	130	11,5°	22,5°

Mounting bracket for clamping on perforated grid (40 mm matrix dimension)



Order no.	suitable for:	r A
804 364	SPEEDY 1000	89
804 463	SPEEDY 2000	104
804 349	SPEEDY 3000	127

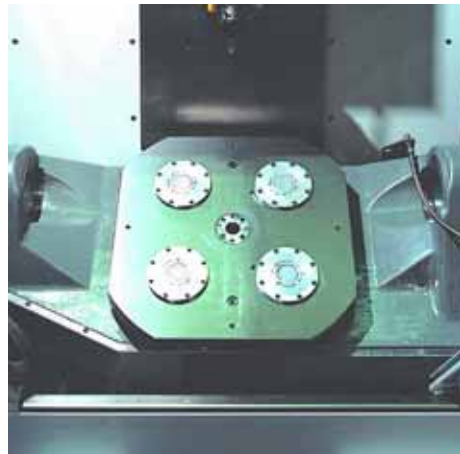


Increase the productivity of your machines

... by increasing the spindle operating time with the STARK zero point clamp system, optimize down-time by setting up outside of the machine – whether you are milling or turning.



Applications of clamp systems in automated production lines.



Applying the SPEEDY Sweeper in automated production.



Application on lathes with locking controls.