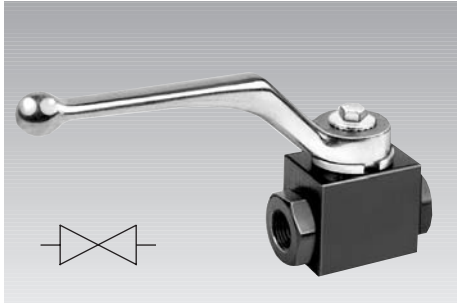
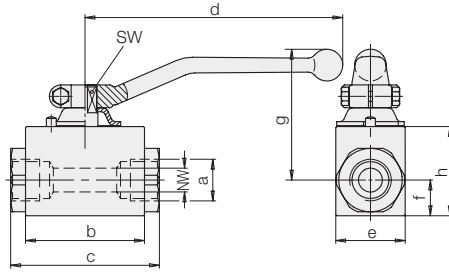


High-Pressure Shut-Off Valves Flow Control Valves



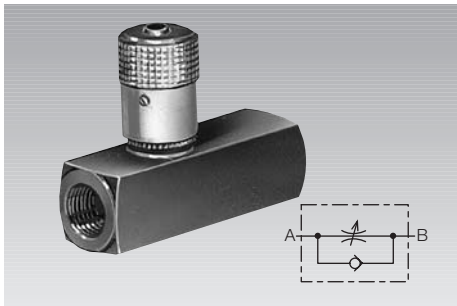
High-pressure shut-off valve
Max. operating pressure 500 bar



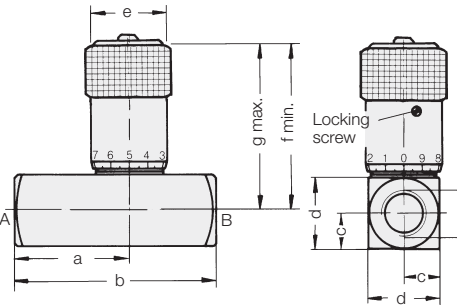
Spare operating lever for 2944-002
Part-no. steel 3540-317
Part-no. alu 3540-318

Temperature range $-40^{\circ} \dots +100^{\circ}\text{C}$.

Hermetically sealing			
ND [mm]	6	12	
a	G1/4	G1/2	
b [mm]	37	60	
c [mm]	50	75	
d [mm]	105	130	
e [mm]	26	35	
f [mm]	13	18	
g [mm]	57	66	
h [mm]	32	45	
SW [mm]	9	10	
Weight [kg]	0.3	0.7	
Part-no.	2944-002	2945-000	

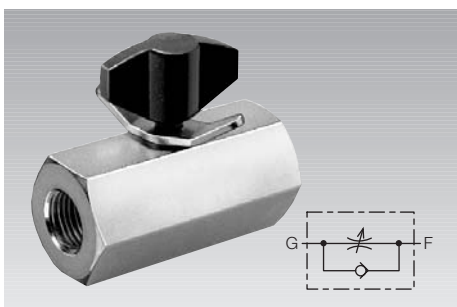
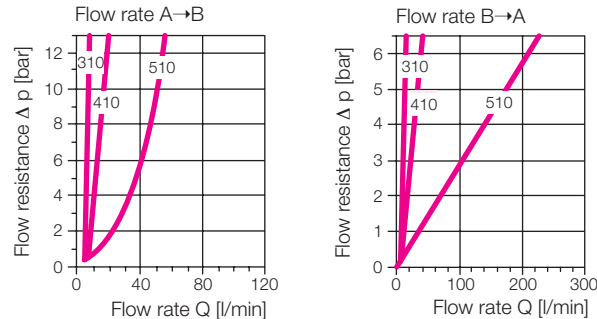


Flow control valve
Max. operating pressure 350 bar

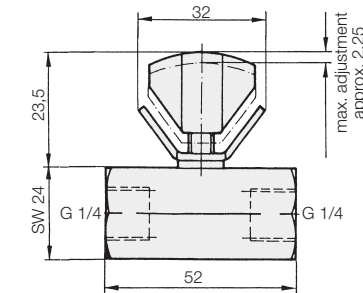


ND	4	6	12
a [mm]	23.5	34	47.5
b [mm]	57.2	67.2	87.5
c [mm]	8	10	15
d [mm]	16	20	30
e [mm]	17	19	27
f [mm]	35.5	40.5	60.5
g [mm]	39	45.5	68
h	G 1/8	G 1/4	G 1/2
Weight [kg]	0.1	0.3	0.7
Part-no.	2956-310	2956-410	2956-510

Δp -Q curves for kinematic viscosity of $36 \times 10^{-6} \text{ m}^2/\text{s}$, throttle totally opened



Flow control valve
Max. operating pressure 500 bar



Weight [kg]	0.36
Part-no.	6355-108

Δp -Q curves for kinematic viscosity of $36 \times 10^{-6} \text{ m}^2/\text{s}$, throttle totally opened

